

INSTALLATION INSTRUCTIONS

DishDrawer™ dishwasher

DD24D 7 & DD24DT 7 models



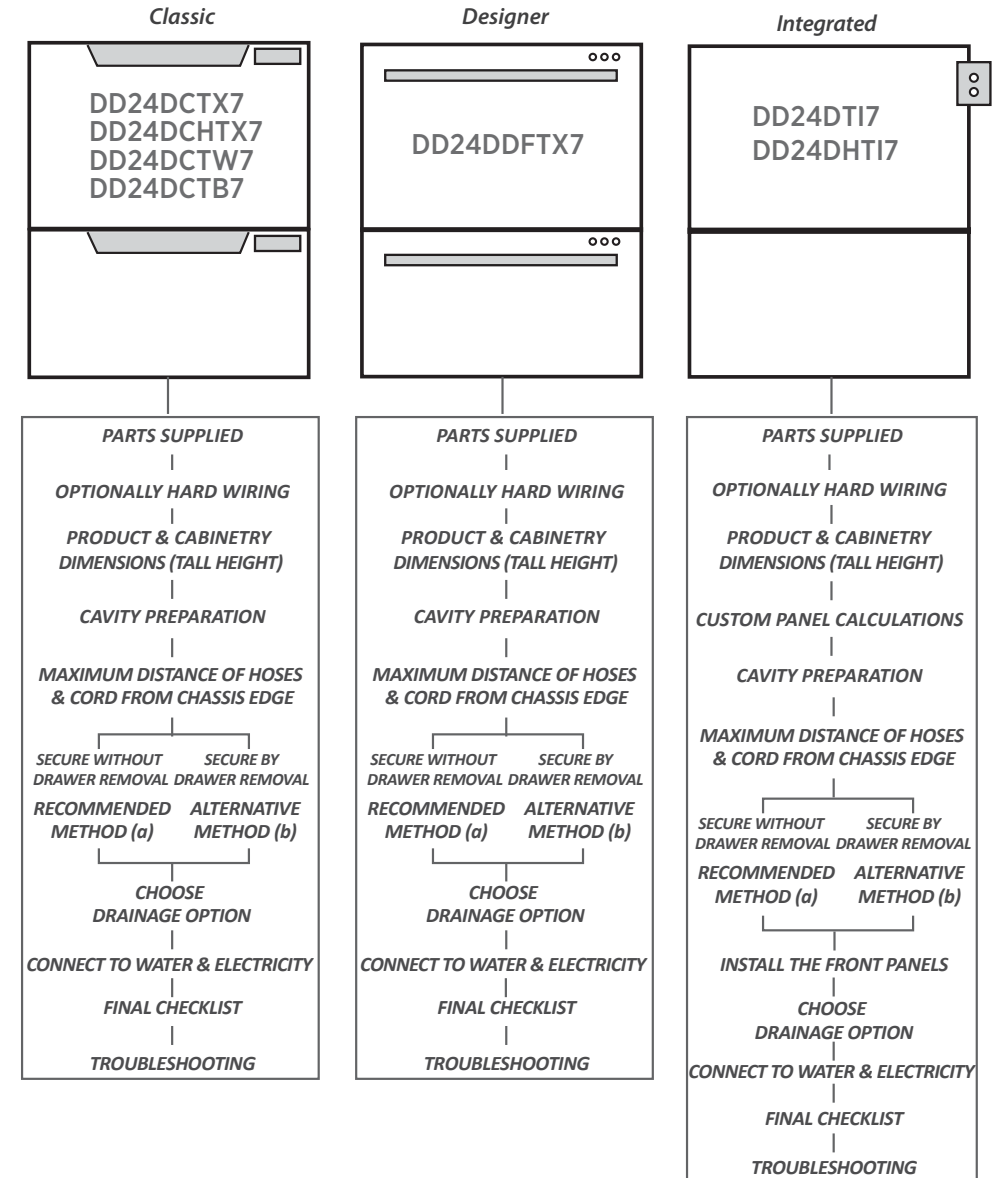
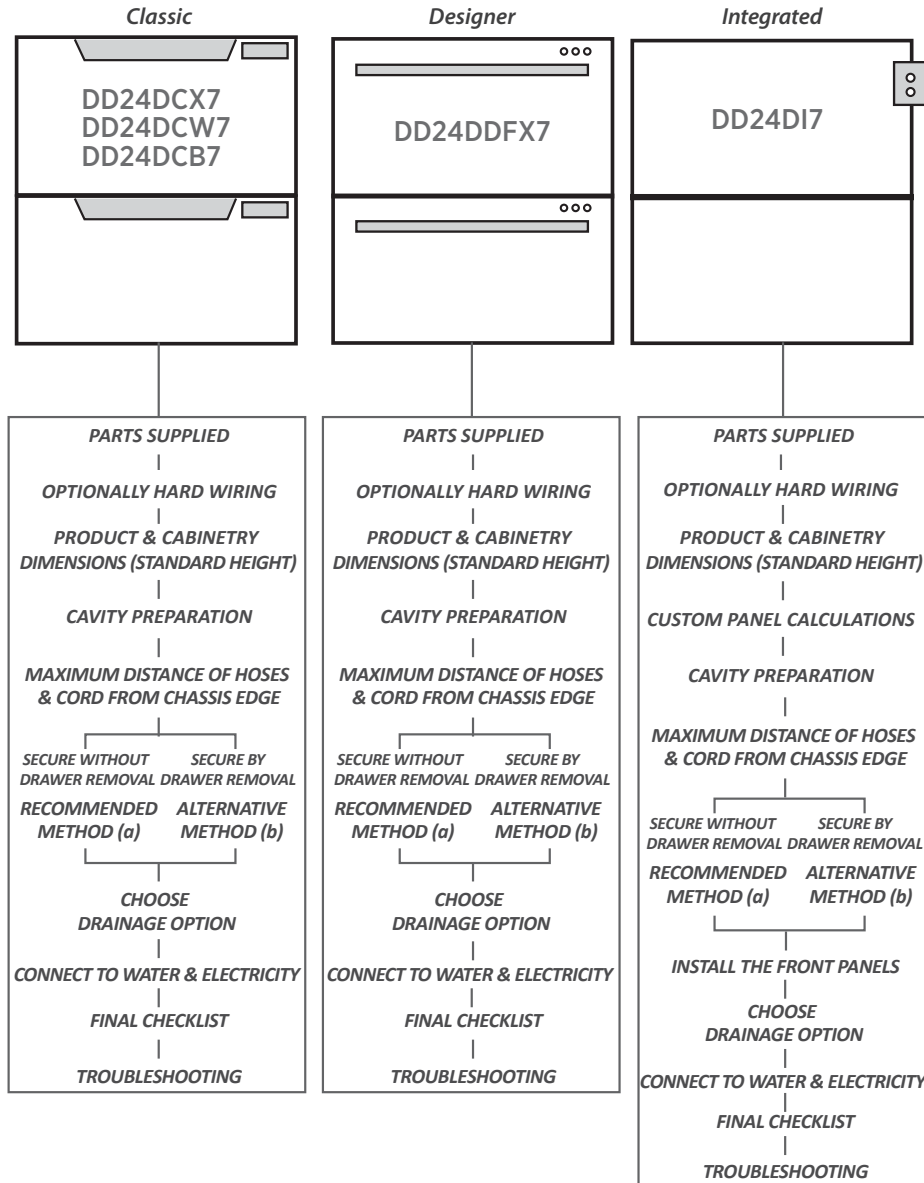
US CA

Fisher & Paykel

1 FOLLOW THE INSTALLATION SEQUENCE RELEVANT TO YOUR MODEL

STANDARD HEIGHT DOUBLE MODELS

TALL HEIGHT DOUBLE MODELS



2a) SAFETY AND WARNINGS - ALL MODELS

⚠ WARNING!

Electrical hazard

Before installing the dishwasher, remove the house fuse or open the circuit breaker. If permanently connecting the dishwasher, be sure the power is isolated and the dishwasher unplugged.

GROUNDING INSTRUCTIONS

This appliance must be grounded. In the event of a malfunction or breakdown, grounding will reduce the risk of electric shock by providing a path of least resistance for electric current. This appliance is equipped with a cord having an equipment-grounding conductor and a grounding plug. The plug must be plugged into an appropriate outlet that is installed and grounded in accordance with all local codes and ordinances. **WARNING** - Improper connection of the equipment-grounding conductor can result in a risk of electric shock. Check with a qualified electrician or service representative if you are in doubt as to whether the appliance is properly grounded.

If the dishwasher is installed as a permanently connected appliance: **GROUNDING INSTRUCTIONS** - This appliance must be connected to a grounded metal, permanent wiring system, or an equipment-grounding conductor must be run with the circuit conductors and connected to the equipment-grounding terminal or lead on the appliance. Do not modify the power supply plug provided with the appliance - if it will not fit the outlet, have a proper outlet installed by a qualified electrician. Do not use an extension cord, adapter plug or multiple outlet box.

Failure to follow this advice may result in electrical shock or death.



⚠ WARNING!

Cut hazard

Take care - panel edges are sharp.

Failure to use caution could result in injury or cuts.



2b) ADDITIONAL SAFETY AND WARNINGS - INTEGRATED MODELS ONLY

⚠ WARNING!

Electrical Shock Hazard

WARNING: To reduce the risk of electrical shock, fire, or injury to persons, the installer must ensure that the dishwasher is completely enclosed at the time of installation. Before fitting the front panels, make sure that the dishwasher is disconnected from the power supply. After installing the front panels, the installer must ensure that the following components are electrically grounded: the panel bracket and any custom metal component (e.g. handle) that extends past the rubber seal.

Failure to follow these warnings may result in electrical shock, injury or fire.



IMPORTANT SAFETY INSTRUCTIONS!

- Installation of this dishwasher requires basic mechanical and electrical skills.
- Be sure to leave these Instructions with the Customer.
- Installation must comply with your local building, electricity, and plumbing regulations.
- At the completion of the dishwasher installation, the Installer must perform the Final Checklist.
- Remove all packaging materials supplied with the dishwasher.
- This dishwasher is manufactured for indoor use only.
- Ensure all water connections are turned OFF. It is the responsibility of the plumber and electrician to ensure that each installation complies with all Codes and Regulations.
- The dishwasher **MUST** be installed to allow for future removal from the enclosure if service is required.
- The switched power outlet must be outside the dishwasher cavity, so that it is accessible after installation.
- Care should be taken when the appliance is installed or removed to reduce the likelihood of damage to the power supply cord and hoses.
- If the dishwasher is to be relocated from one installation to another it must be kept upright to avoid damage from water spillage.
- Make sure only new hoses are used for connection (supplied with the dishwasher). Old hoses should not be reused.
- Failure to install the dishwasher correctly could invalidate any warranty or liability claims.
- If the product is installed in a motor vehicle, boat or similar mobile facility, you must bring the vehicle, boat or mobile facility containing the product to the service shop at your expense or pay the service technician's travel to the location of the product.

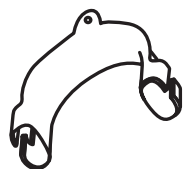
SAVE THESE INSTRUCTIONS

IMPORTANT SAFETY INSTRUCTIONS!

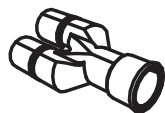
- Read these instructions completely and carefully.
- Ensure the product is not plugged in.
- Installation of custom panels requires basic mechanical and electrical skills.
- Installation must comply with your local building and electricity regulations.
- Failure to install the custom panels correctly could invalidate any warranty or liability claims.

SAVE THESE INSTRUCTIONS

3a) PARTS SUPPLIED - ALL MODELS



Drain hose support (1)



Drain hose joiner (1)



Wire clip (2)
(for securing Drain hose joiner)



Clamp (1)
(for securing Drain hose joiner)



Side mounting bracket kit (A and B) (2)
OPTIONAL



Top mounting brackets (2)
OPTIONAL



Phillips $\frac{5}{8}$ " (16 mm) screws (9)



Rubber washer for inlet hose (1)
(comes already fitted)



Moisture protection tape (1)
(to prevent moisture damage)



Hexagonal socket for feet adjustment (2)
(long & short)



Prefinished toekick (1)

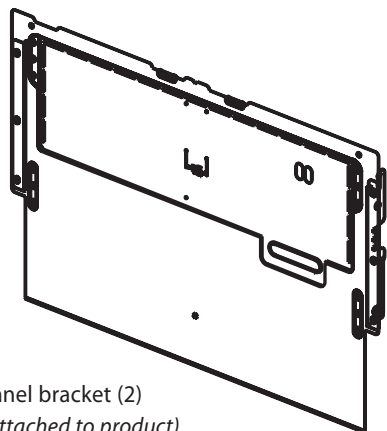


Edge Protector (1)

(If the services hole is through a metal partition the hole must be protected with the Edge protector supplied to prevent damage to the power cord or hoses.)

If the Drain hoses supplied are not long enough to reach your services, you must use a Drain Hose Extension Kit P/N 525798 which will extend the drain hoses by 11' 10" (3.6m). The kit is available from the nearest Fisher & Paykel Authorized Service Center, or Toll free 1.888.936.7872 or www.fisherpaykel.com

3b) ADDITIONAL PARTS SUPPLIED WITH INTEGRATED MODELS



Panel bracket (2)
(attached to product)



Panel mounting screws (12)



Toekick mounting bracket (1)

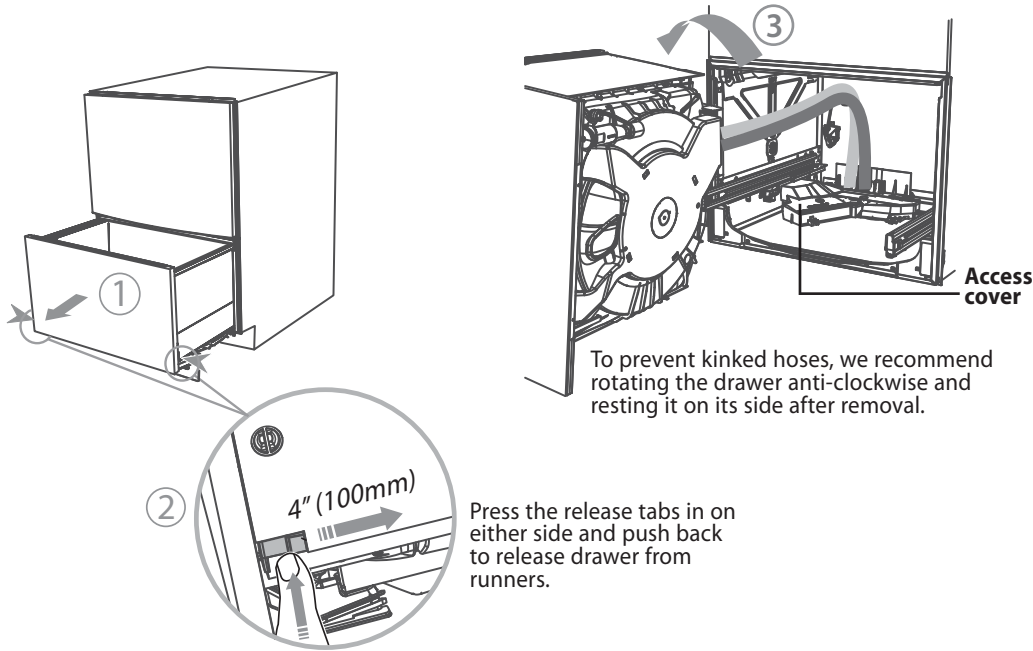
(A custom toekick panel of any material with thickness $\frac{3}{8}$ "- $\frac{3}{4}$ " (9 - 19 mm) can be screwed to the plastic toekick mounting bracket)



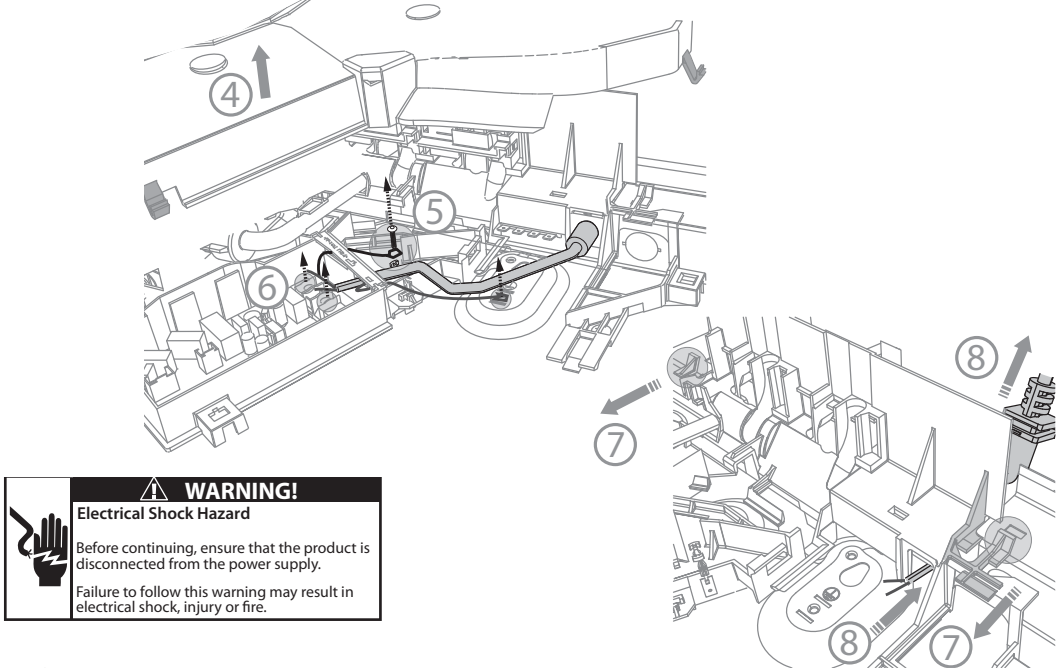
Toekick mounting screws (5)

4 OPTIONALLY HARD WIRING PRIOR TO INSTALLATION

4a REMOVE THE LOWER DRAWER

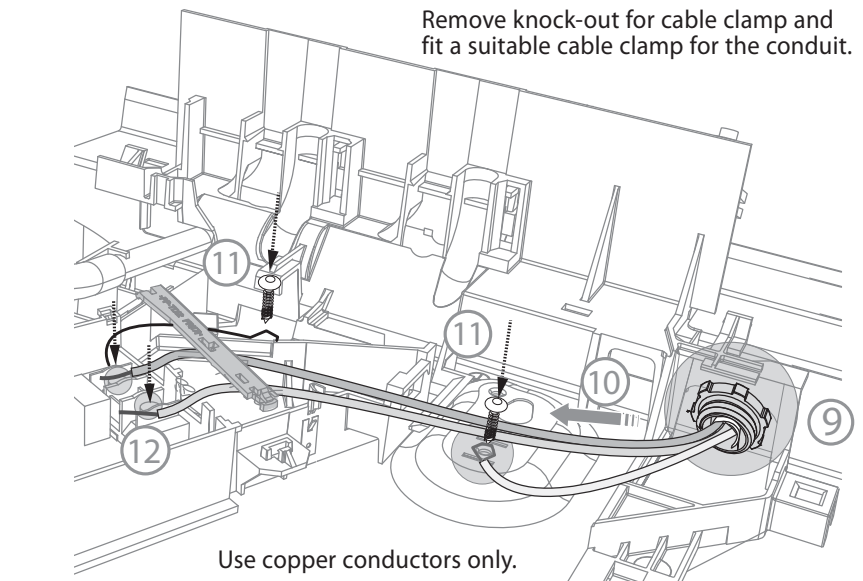


4b REMOVE THE ACCESS COVER & POWER CORD

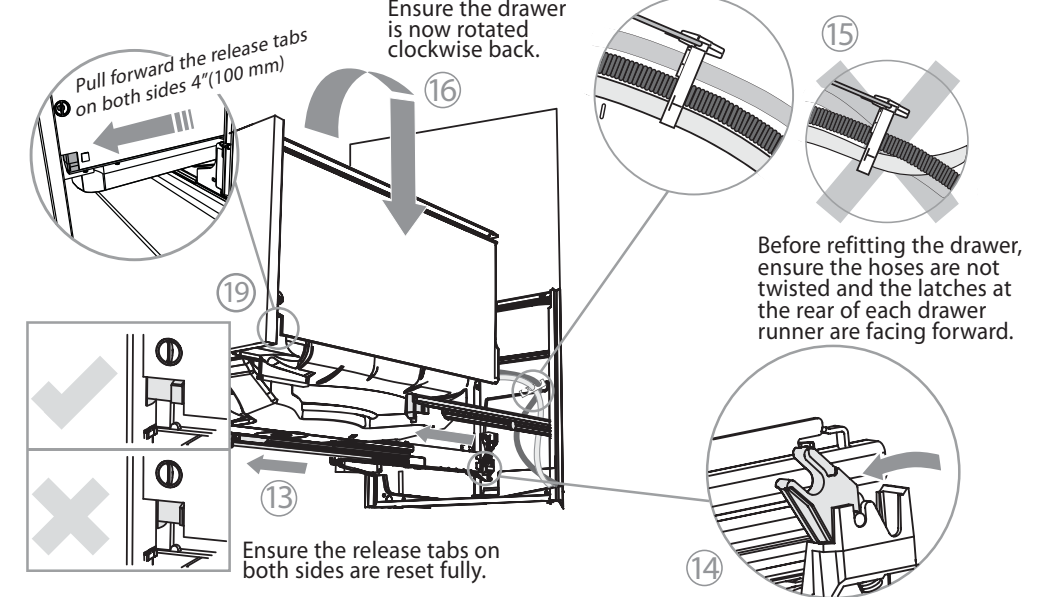


WARNING!
 Electrical Shock Hazard
 Before continuing, ensure that the product is disconnected from the power supply.
 Failure to follow this warning may result in electrical shock, injury or fire.

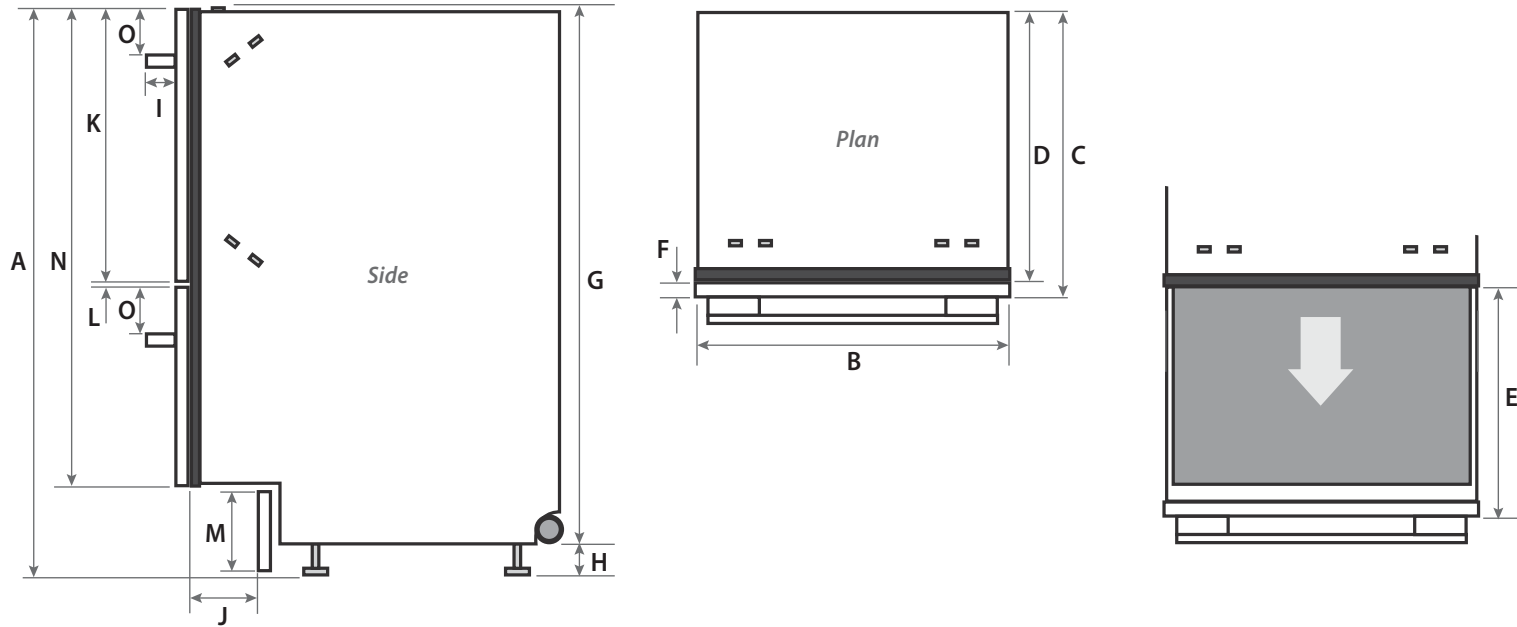
4c TERMINATE THE WIRING AS SHOWN



4d REFIT THE DRAWER ONTO THE RUNNERS & CLOSE



5 PRODUCT DIMENSIONS



Product dimensions inches (mm)

STANDARD HEIGHT MODELS

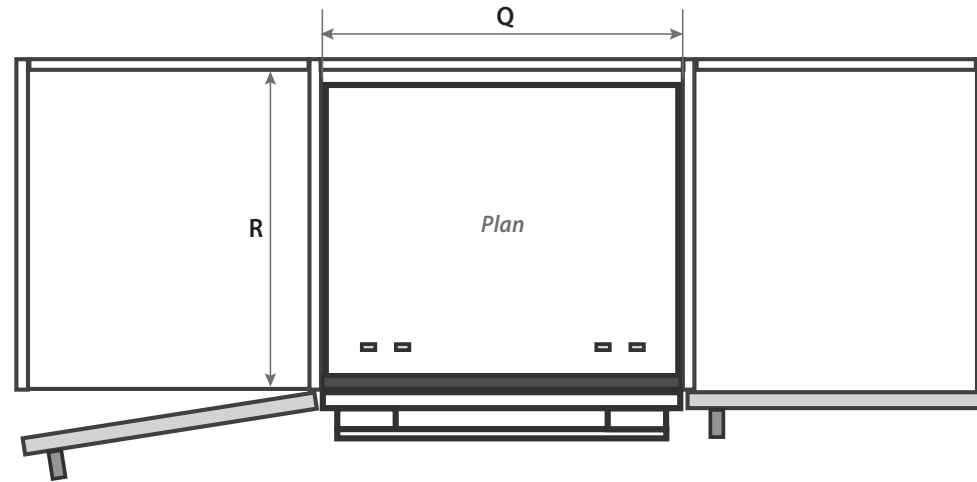
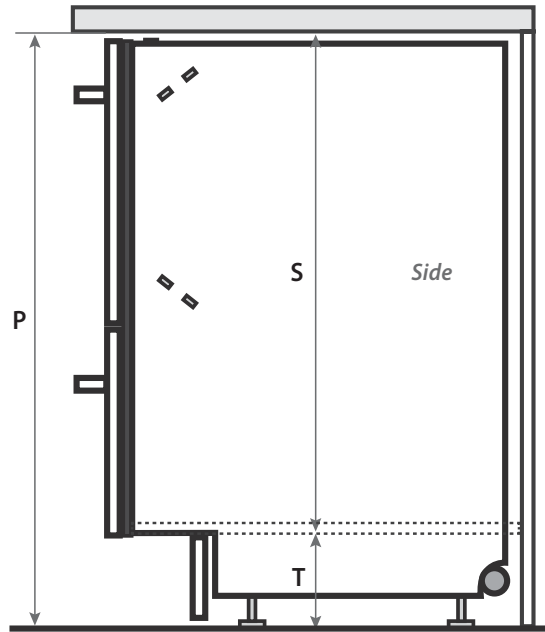
TALL HEIGHT MODELS

	STANDARD HEIGHT MODELS			TALL HEIGHT MODELS		
	Classic	Designer	Integrated	Classic	Designer	Integrated
A overall height ¹ of product	32 5/16 - 34 5/8"(820-880) ²	32 5/16 - 34 5/8"(820-880) ²	32 5/16 - 34 5/8"(820-880) ²	34 - 36 3/8"(864-924) ²	34 - 36 3/8"(864-924) ²	34 - 36 3/8"(864-924) ²
B overall width of product	23 9/16"(599)	23 9/16"(599)	23 9/16"(599)	23 9/16"(599)	23 9/16"(599)	23 9/16"(599)
C overall depth of product (excl. handle)	22 15/16"(582)	22 1/2"(571)	22 1/2"(571) ³	22 15/16"(582)	22 1/2"(571)	22 1/2"(571) ³
D depth of chassis (to back of front panel)	21 3/4"(553)	21 3/4"(553)	21 3/4"(553)	21 3/4"(553)	21 3/4"(553)	21 3/4"(553)
E maximum extension of drawer (excl. handle)	21 7/8"(556)	21 7/16"(545)	21 7/16"(545) ³	21 7/8"(556)	21 7/16"(545)	21 7/16"(545) ³
F depth of front panel (excl. handle)	1 1/8"(29)	1 1/16"(18)	5/8 - 1 3/16"(16-20)	1 1/8"(29)	1 1/16"(18)	5/8 - 1 3/16"(16-20)
G height ¹ of chassis	31 15/16"(811)	31 15/16"(811)	31 15/16"(811)	33 1 1/16"(855)	33 1 1/16"(855)	33 1 1/16"(855)
H height of levelling feet	3/8 - 2 1 1/16"(9-69) ²	3/8 - 2 1 1/16"(9-69) ²	3/8 - 2 1 1/16"(9-69) ²	3/8 - 2 1 1/16"(9-69) ²	3/8 - 2 1 1/16"(9-69) ²	3/8 - 2 1 1/16"(9-69) ²
I depth of handle	n/a	1 5/8"(41)	n/a	n/a	1 5/8"(41)	n/a
J depth of toekick recess (to back of front panel) ⁴	1 3/16 - 3 5/8"(30-92)	1 3/16 - 3 5/8"(30-92)	1 3/16 - 3 5/16"(30-84) ⁵	1 3/16 - 3 5/8"(30-92)	1 3/16 - 3 5/8"(30-92)	1 3/16 - 3 5/16"(30-84) ⁵
K height of upper front panel	15 1/2"(394)	15 1 1/16"(398)	min. 15 1 1/16"(398)	17 1/4"(438)	17 3/8"(442)	min. 17 3/8"(442)
L ventilation gap between front panels	3/16"(5)	5/16"(8)	min. 5/16"(8)	3/16"(5)	5/16"(8)	min. 5/16"(8)
M height of toekick panel (adjustable)	2 3/4 - 4 3/4"(70-120)	2 3/4 - 4 3/4"(70-120)	2 3/4 - 4 3/4"(70-120)	2 3/4 - 4 3/4"(70-120)	2 3/4 - 4 3/4"(70-120)	2 3/4 - 4 3/4"(70-120)
N height of drawer fronts	29 13/16"(757)	30"(762)	min. 28 1/4"(717)	29 1 1/16"(754)	29 15/16"(760)	min. 29 15/16"(760)
O height from top of handle to top of front panel	n/a	2 1/2"(64)	n/a	n/a	2 1/2"(64)	n/a

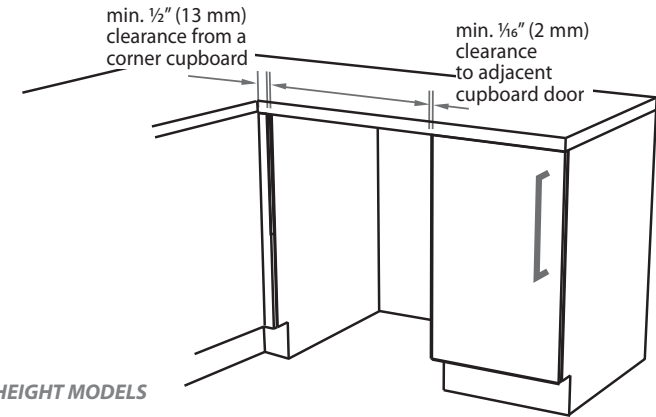
¹includes 5/16"(2mm) high bracket slots ²depending on adjustment of leveling feet ³assuming front panel thickness of 1 1/16"(18mm) ⁴adjustable to match toekick recess on adjoining cabinetry

⁵assuming that toekick mounting bracket is used with a 1 1/16"(18mm) thick custom panel; if recess is between 1 15/16" - 3 5/8"(50 and 84 mm) deep, the panel will need to be cut out - see step 'Custom panel calculations'

6 CABINETSRY DIMENSIONS



Minimum clearances from adjacent cabinetry



Cabinetry dimensions inches (mm)

STANDARD HEIGHT MODELS

TALL HEIGHT MODELS

	STANDARD HEIGHT MODELS			TALL HEIGHT MODELS		
	Classic	Designer	Integrated	Classic	Designer	Integrated
P inside height of cavity*	min. 32 5/16"(820)	min. 32 5/16"(820)	min. 32 5/16"(820)	min. 34"(864)	min. 34"(864)	min. 34"(864)
Q inside width of cavity	23 5/8"(600)	23 5/8"(600)	23 5/8"(600)	23 5/8"(600)	23 5/8"(600)	23 5/8"(600)
R inside depth of cavity	min. 22 1/16"(560)	min. 22 1/16"(560)	min. 22 1/16"(560)	min. 22 1/16"(560)	min. 22 1/16"(560)	min. 22 1/16"(560)
S recommended height of adjacent cabinet space	30"(762)	30"(762)	min. 28 3/8"(720)	30"(762)	30"(762)	min. 30"(762)
T height of toekick space*	2 3/8 - 4 3/4"(60-120)	2 3/8 - 4 3/4"(60-120)	3 15/16 - 6 5/16"(100-160)	3 15/16 - 6 5/16"(100-160)	3 15/16 - 6 5/16"(100-160)	3 15/16 - 6 5/16"(100-160)

*depending on adjustment of leveling feet

7a) STANDARD HEIGHT INTEGRATED MODELS ONLY - CUSTOM PANEL CALCULATIONS

The following calculations assume the top of the upper panel is aligned with the top of the adjacent cabinetry. The final panel/cabinetry alignment is achieved by adjusting the feet:

WIDTH OF ALL PANELS

Measure **A** (the width between adjacent door/drawer fronts) and write it in the first box below, then complete the equation.

$$\text{A} - 2 \times \left(\text{clearance to adjacent cabinet front (min. } \frac{1}{16}'' (2 \text{ mm}) \right) = \text{WIDTH OF PANEL (min. } 23 \frac{1}{16}'' (596 \text{ mm})$$

HEIGHT OF THE UPPER PANEL

$$\text{minimum height (} 15 \frac{1}{16}'' (398 \text{ mm}) + \text{upper panel extension (0''/mm recommended)} = \text{HEIGHT OF UPPER PANEL}$$

Note: The 'upper panel extension' **B** allows for the top of the upper panel to extend above the chassis where required.

HEIGHT OF THE LOWER PANEL

Measure **C** (door/drawer height (or equivalent)) and write it in the first box below, then complete the equation.

$$\text{C (min } 28 \frac{1}{4}'' (717 \text{ mm}) + \text{B)} - \text{height of upper panel} - \text{ventilation gap (min. } \frac{5}{16}'' (8 \text{ mm}) = \text{HEIGHT OF LOWER PANEL (min. } 12 \frac{1}{4}'' (311 \text{ mm})$$

HEIGHT OF THE TOEKICK PANEL

Measure **D** (height from the top of adjacent cabinet door fronts to the floor) and write it in the first box below, then complete the equation.

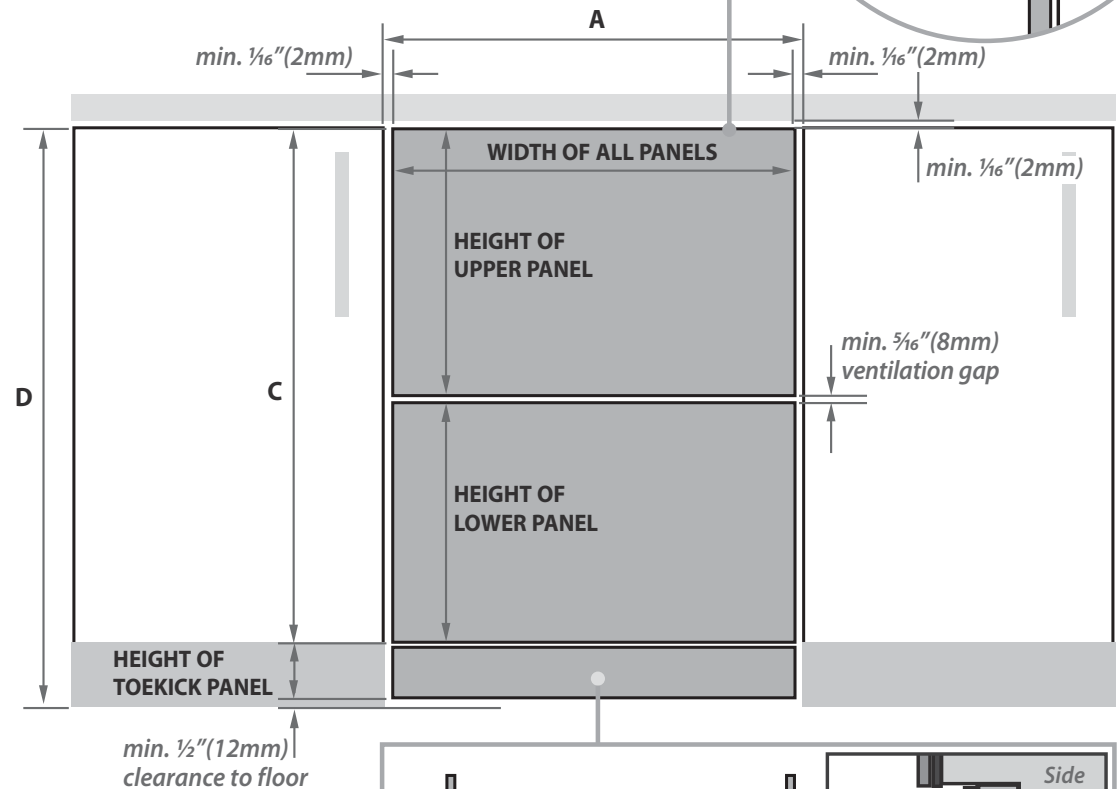
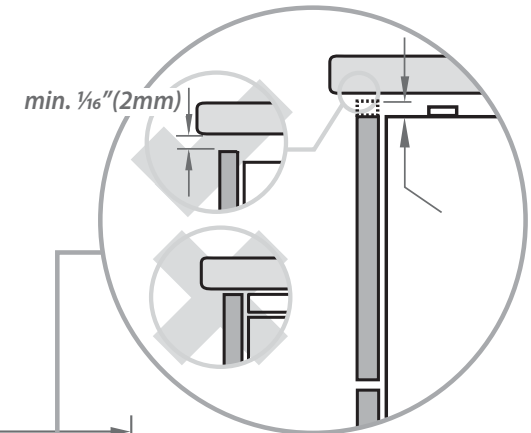
$$\text{D} - \text{upper panel extension (0''/mm recommended)} - 28 \frac{15}{16}'' (735 \text{ mm}) - \text{clearance to floor (min. } \frac{1}{2}'' (12 \text{ mm}) = \text{HEIGHT OF TOEKICK PANEL (min. } 2 \frac{3}{16}'' (70 \text{ mm})$$

FRONT PANEL SPECIFICATIONS

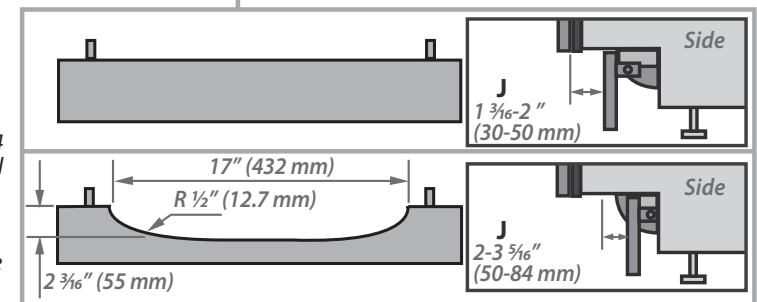
- $\frac{5}{8}$ - $1\frac{3}{16}$ " (16-20 mm) panel thickness
- Adequately sealed to withstand moisture (122°F/ 50°C @ 80% RH)
- Maximum weight of each panel: 20 lb (9 kg)

TOEKICK PANEL SPECIFICATIONS

- min. $\frac{3}{8}$ " (9 mm) panel thickness if using supplied screws
- Adequately sealed to withstand moisture (122°F/ 50°C @ 80% RH)
- You may choose to affix your custom toekick panel either by screwing it to the supplied mounting bracket or gluing it on the supplied prefinished toekick panel.



If the toekick recess (dimension **J** under 'Product dimensions') is between 2" and 3 $\frac{3}{16}$ " (50 and 84 mm) deep, the toekick panel will need to be modified for fitting around the underside of the product. See illustration for details on the shape of the cutout required.



7b) TALL HEIGHT INTEGRATED MODELS ONLY - CUSTOM PANEL CALCULATIONS

The following calculations assume the top of the upper panel is aligned with the top of the adjacent cabinetry. The final panel/cabinetry alignment is achieved by adjusting the feet:

WIDTH OF ALL PANELS

Measure **A** (the width between adjacent door/drawer fronts) and write it in the first box below, then complete the equation.

$$\text{A} - 2 \times \left(\text{clearance to adjacent cabinet front (min. } \frac{1}{16}'' (2 \text{ mm}) \right) = \text{WIDTH OF PANEL (min. } 23 \frac{1}{16}'' (596 \text{ mm})$$

HEIGHT OF THE UPPER PANEL

$$\text{minimum height } 17 \frac{3}{8}'' (442 \text{ mm}) + \text{upper panel extension (0''/mm recommended)} = \text{HEIGHT OF UPPER PANEL}$$

Note: The 'upper panel extension' **B** allows for the top of the upper panel to extend above the chassis where required.

HEIGHT OF THE LOWER PANEL

Measure **C** (door/drawer height (or equivalent)) and write it in the first box below, then complete the equation.

$$\text{C (min } 30'' (762 \text{ mm}) + \text{B)} - \text{height of upper panel} - \text{ventilation gap (min. } \frac{5}{16}'' (8 \text{ mm}) = \text{HEIGHT OF LOWER PANEL (min. } 12 \frac{1}{4}'' (311 \text{ mm})$$

HEIGHT OF THE TOEKICK PANEL

Measure **D** (height from the top of adjacent cabinet door fronts to the floor) and write it in the first box below, then complete the equation.

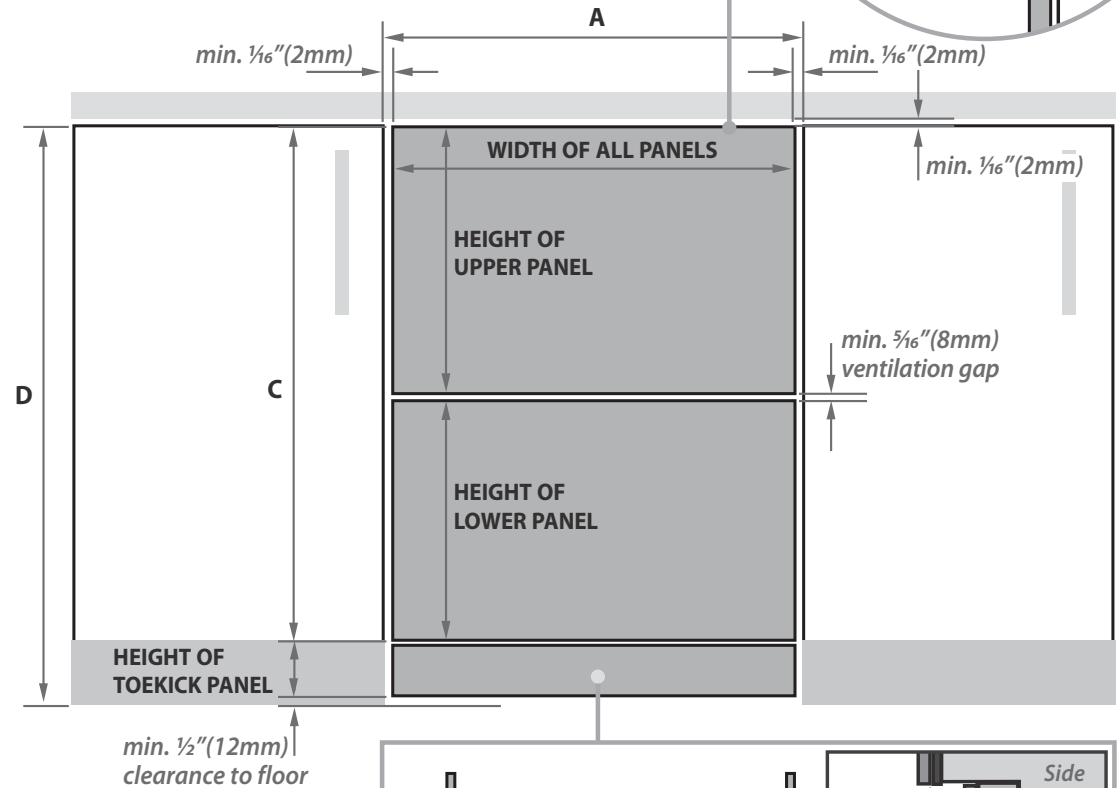
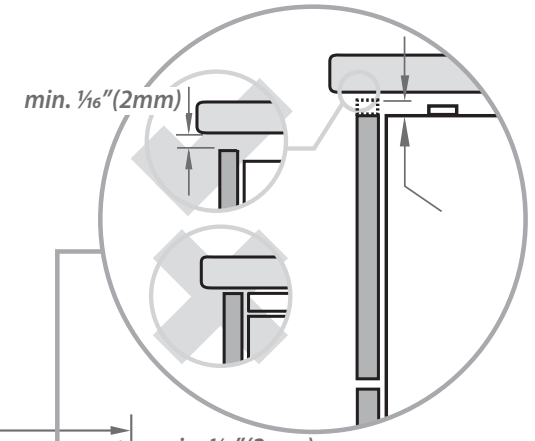
$$\text{D} - \text{upper panel extension (0''/mm recommended)} - 30 \frac{1}{16}'' (779 \text{ mm}) - \text{clearance to floor (min. } \frac{1}{2}'' (12 \text{ mm}) = \text{HEIGHT OF TOEKICK PANEL (min. } 2 \frac{3}{16}'' (70 \text{ mm})$$

FRONT PANEL SPECIFICATIONS

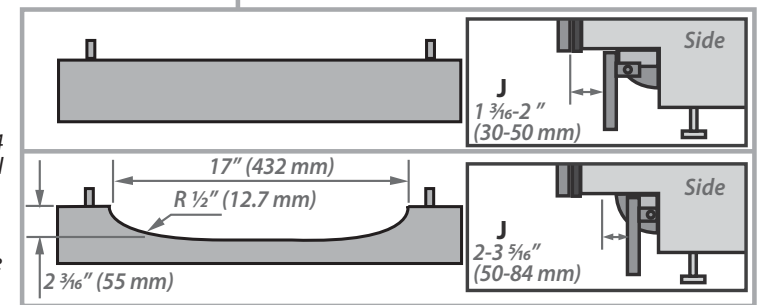
- $\frac{5}{8}$ - $1\frac{3}{16}$ " (16-20 mm) panel thickness
- Adequately sealed to withstand moisture (122°F/ 50°C @ 80% RH)
- Maximum weight of each panel: 20 lb (9 kg)

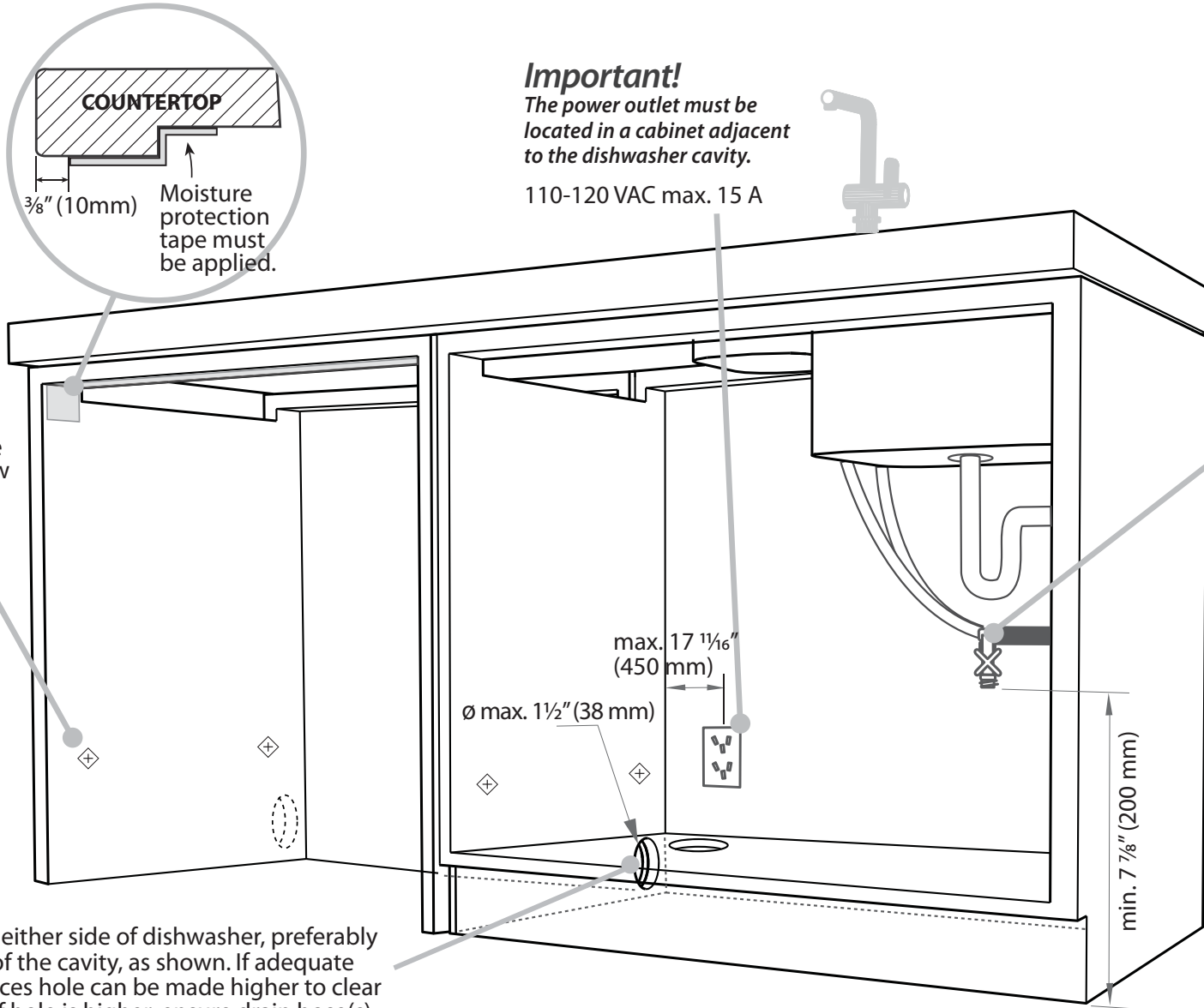
TOEKICK PANEL SPECIFICATIONS

- min. $\frac{3}{8}$ " (9 mm) panel thickness if using supplied screws
- Adequately sealed to withstand moisture (122°F/ 50°C @ 80% RH)
- You may choose to affix your custom toekick panel either by screwing it to the supplied mounting bracket or gluing it on the supplied prefinished toekick panel.



If the toekick recess (dimension **J** under 'Product dimensions') is between 2" and 3 $\frac{3}{16}$ " (50 and 84 mm) deep, the toekick panel will need to be modified for fitting around the underside of the product. See illustration for details on the shape of the cutout required.





Important!
The power outlet must be located in a cabinet adjacent to the dishwasher cavity.

110-120 VAC max. 15 A

Water Connection
Recommended **HOT**
(Maximum 140°F/60°C).

Supplied hose to suit 3/8" (9 mm) male compression fitting.

Water Pressure
Water softener models
Max. 1 MPa (145 psi)
Min. 0.1 MPa (14.5 psi)

Models without water softener
Max. 1 MPa (145 psi)
Min. 0.03 MPa (4.3 psi)

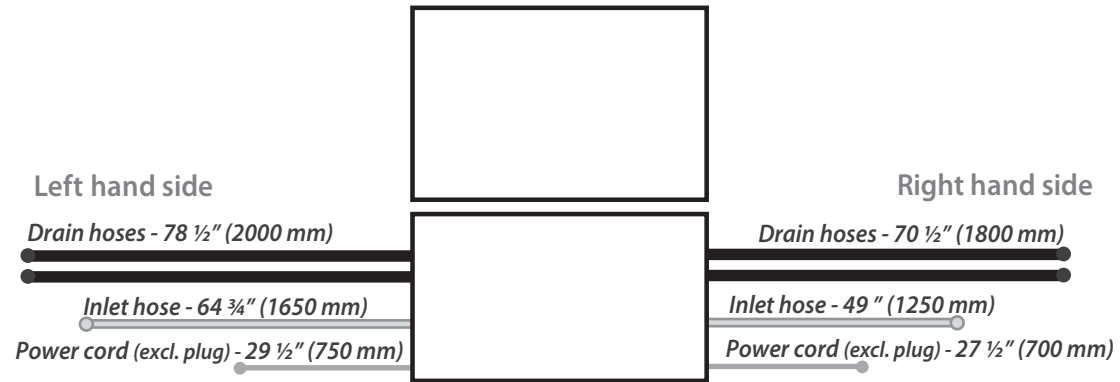
Kosher requirements
Drains will need to be separated to satisfy kosher requirements. We suggest you confirm acceptability with your local rabbi in respect to kosher installations.

These marks indicate formed bracket screw locations, if securing by drawer removal.
If there is no side partition, you can construct timber bracing as something to secure into.

Services hole
Can be located either side of dishwasher, preferably at the bottom of the cavity, as shown. If adequate clearance, services hole can be made higher to clear toe-kick space. If hole is higher, ensure drain hose(s) are routed straight into the waste connection.

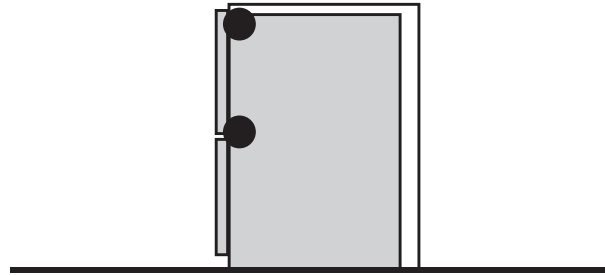
- If the hole is through wood, make sure its edges are smooth and rounded.
- If the hole is through metal, ensure you fit the supplied Edge Protector to prevent damage to the power cord.

⑨ **MAXIMUM DISTANCE OF HOSES & CORD FROM CHASSIS EDGE**

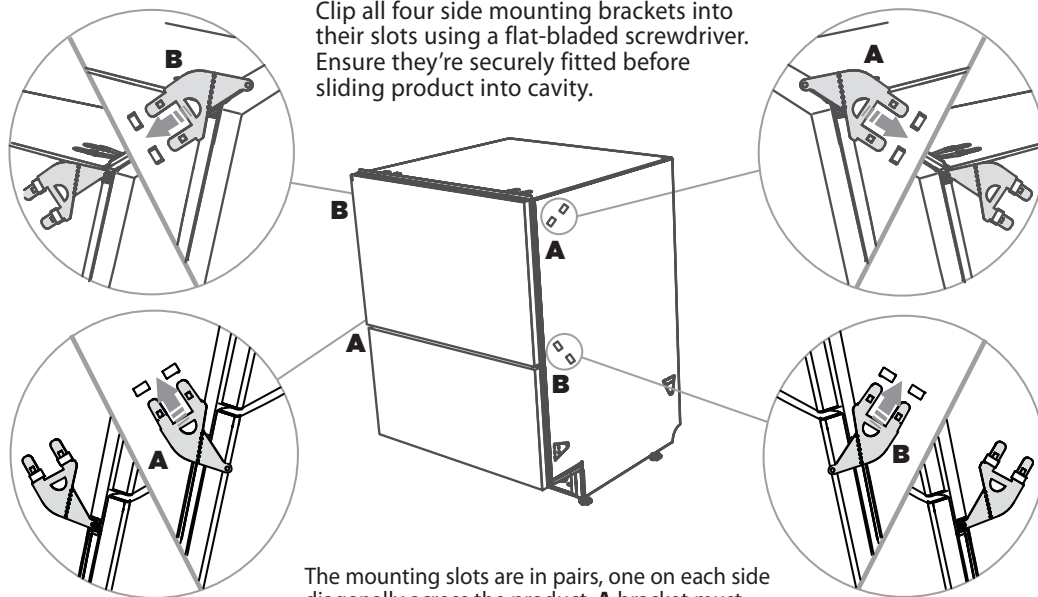


NOW CHOOSE WHICH INSTALLATION METHOD (a) or (b) IS MORE SUITABLE FOR YOUR CABINETRY...

RECOMMENDED METHOD (a) - SECURE WITHOUT DRAWER REMOVAL (FRAMELESS CABINETRY ONLY)



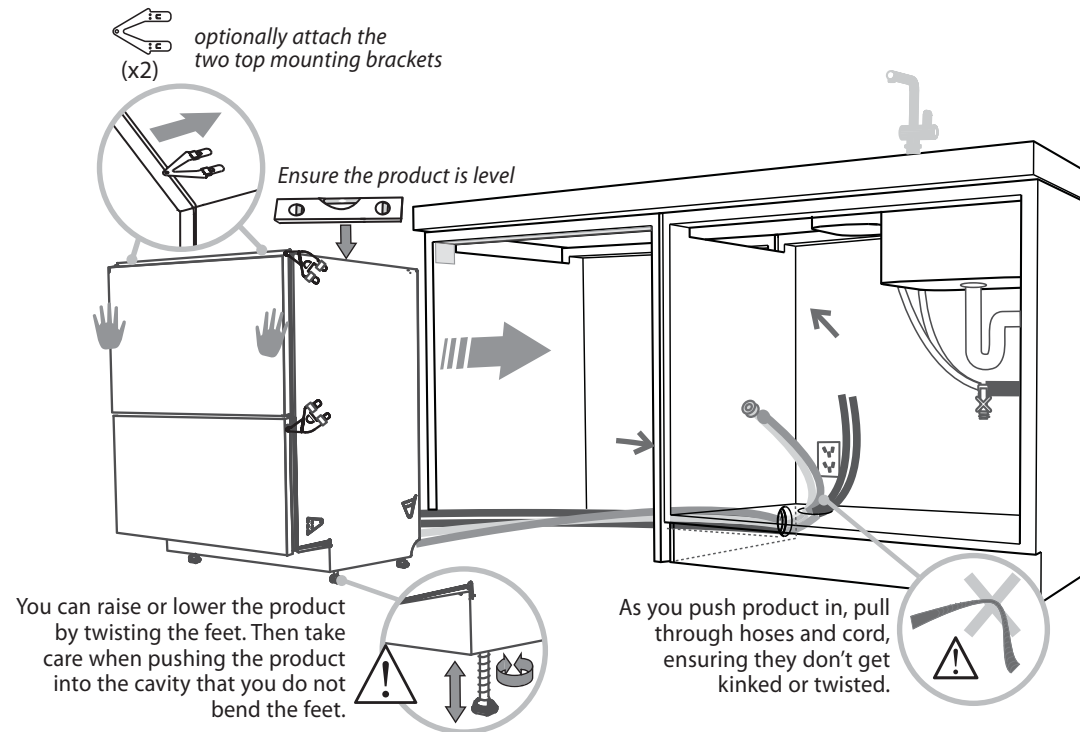
10a ATTACH SIDE MOUNTING BRACKETS



Clip all four side mounting brackets into their slots using a flat-bladed screwdriver. Ensure they're securely fitted before sliding product into cavity.

The mounting slots are in pairs, one on each side diagonally across the product. **A** bracket must match **A** slot and **B** bracket must match **B** slot.

11a PULL THROUGH HOSES & PUSH INTO THE CAVITY



optionally attach the two top mounting brackets (x2)

Ensure the product is level

You can raise or lower the product by twisting the feet. Then take care when pushing the product into the cavity that you do not bend the feet.

As you push product in, pull through hoses and cord, ensuring they don't get kinked or twisted.

12a) SECURE TO THE CABINETRY ON THE SIDES

1 Open the drawer halfway. Using a flat-bladed screwdriver, prize the gray rubber plug out of the trim moulding.

2 Using a small Philips screwdriver, screw through the trim moulding, securing the side mounting bracket to the cabinetry. Do not damage the rubber trimseal.

3 Replace the gray rubber plug back into the trim moulding and ensure the trim seal is facing forward.

Repeat for all four brackets.

13a) OPTIONALLY SECURE TO THE CABINETRY ABOVE

(x2)

The top mounting brackets will only bend upwards a maximum of 3/8" (10 mm).

14a) FIT THE SUPPLIED TOEKICK PANEL (OPTIONAL FOR INTEGRATED MODELS)

1 Where the toekick meets the bottom of the tub is the cut-off point

2 Mark this point on the toekick with a pencil

3 Lay the toekick face down on a chopping board or similar

4 Score along with a knife

5 Turn the toekick over and score along the same line

6 Gently snap off the excess

7 Smooth the edge with a file. Be careful of sharp edges.

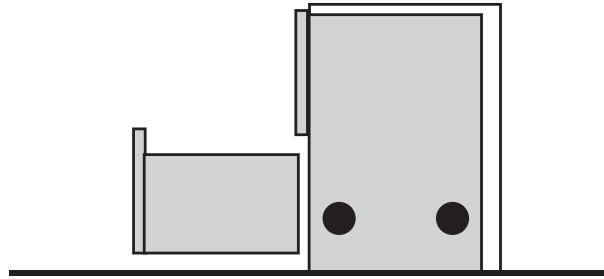
8 Snap off the two end tabs

9 Slide the toekick onto the mounting rails either side and screw the toekick onto the bottom of tub on either side.

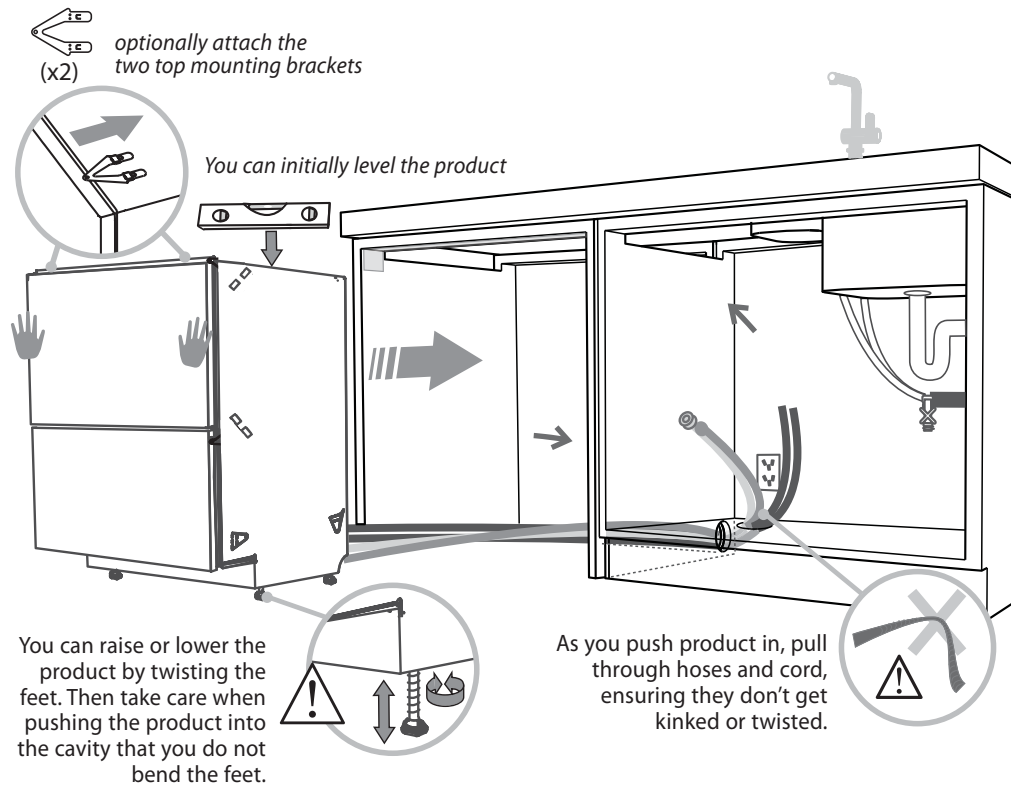
Mounting rail

Important!
Do not overtighten screw.

ALTERNATIVE METHOD (b) - SECURE BY DRAWER REMOVAL

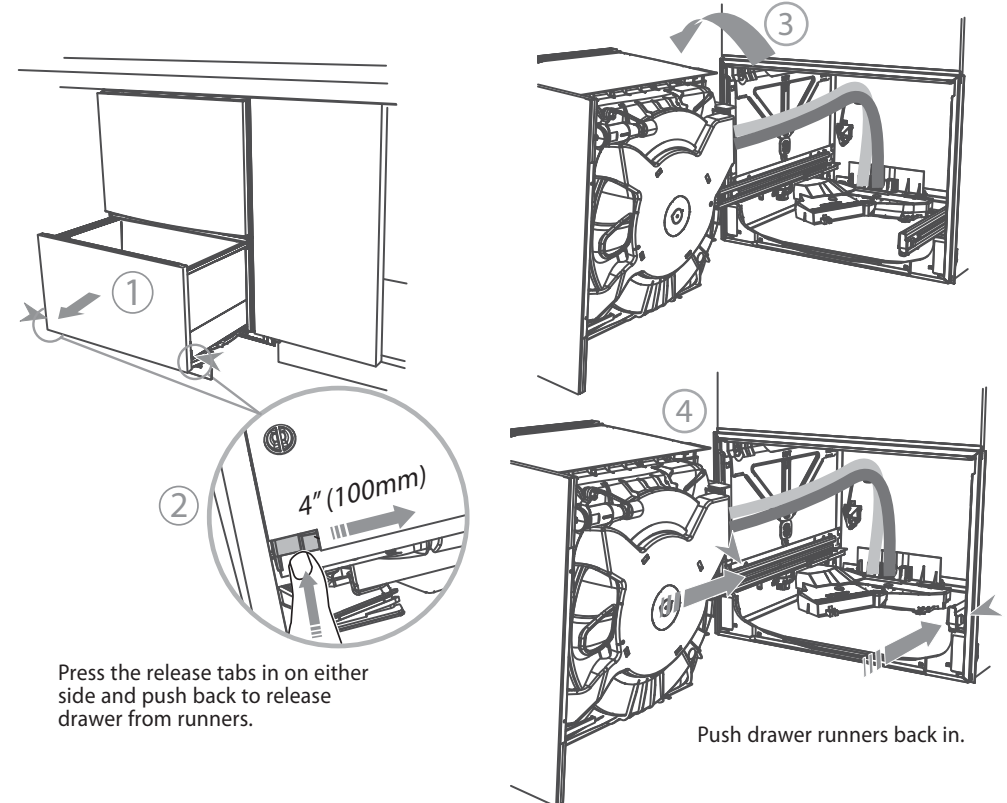


10b) PULL THROUGH HOSES & PUSH INTO THE CAVITY



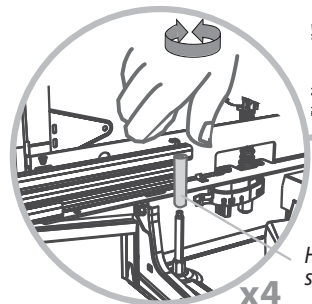
11b) REMOVE THE LOWER DRAWER

To prevent kinked hoses, we recommend rotating the drawer counter-clockwise and resting it on its side after removal.



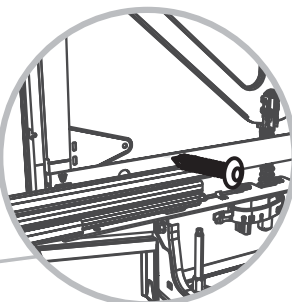
12b SECURE TO THE CABINETRY ON THE SIDES

For further adjustment, using the most appropriate length Hexagonal socket supplied, fully extend leveling feet up to required distance by hand.



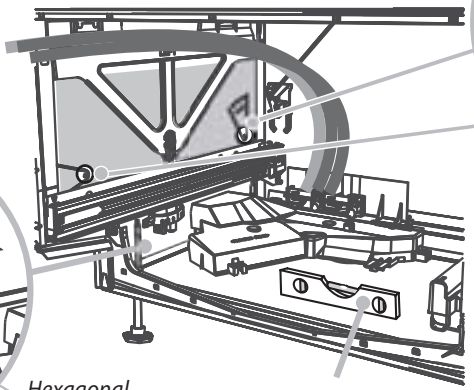
Hexagonal socket
x4

To access the side brackets, you might have to push aside the insulation. After securing, ensure the sound insulation is repositioned correctly.

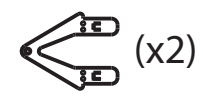


Secure using two pairs of formed brackets (use 5/8" (16 mm) screws). Repeat on the other side of the chassis.

Ensure product is level and aligning with cabinetry.

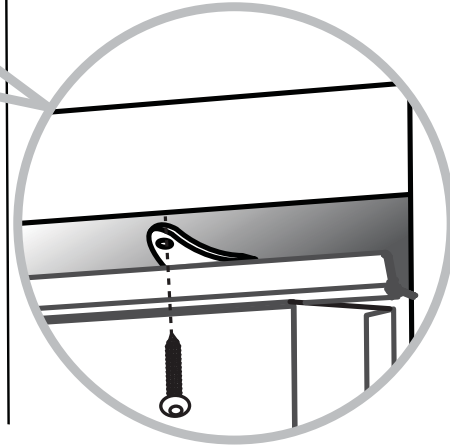
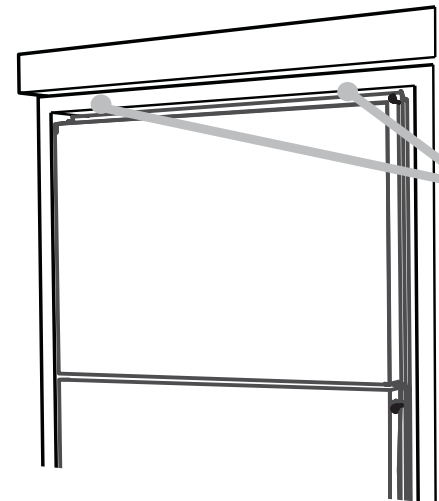


13b OPTIONALLY SECURE TO THE CABINETRY ABOVE

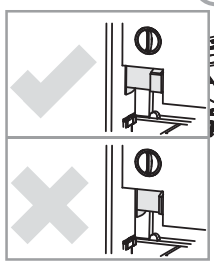
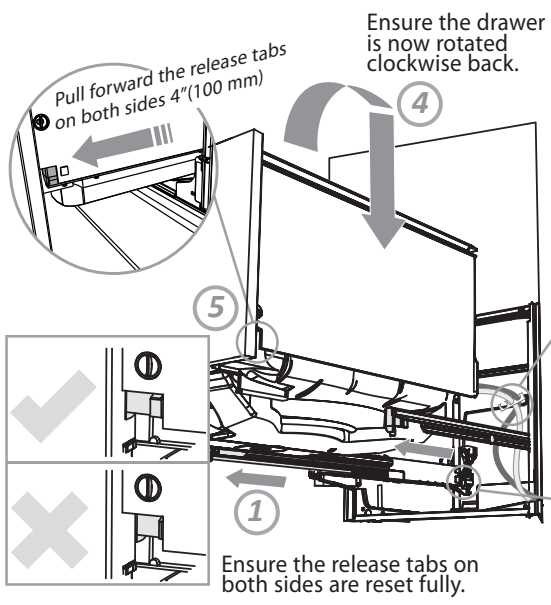


(x2)

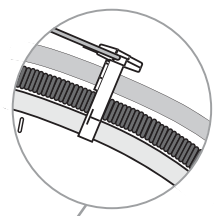
The top mounting brackets will only bend upwards a maximum of 3/8" (10 mm).



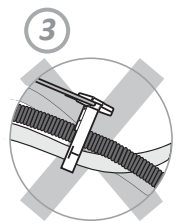
14b REFIT THE DRAWER ONTO THE RUNNERS



Ensure the release tabs on both sides are reset fully.

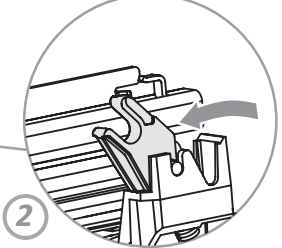


Pull forward the release tabs on both sides 4" (100 mm)



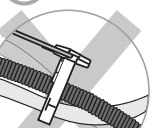
Ensure the drawer is now rotated clockwise back.

Before refitting the drawer, ensure the hoses are not twisted and the latches at the rear of each drawer runner are facing forward.



1

2

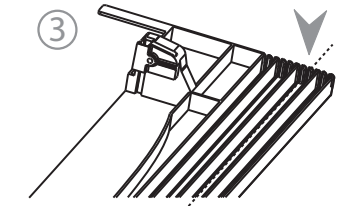
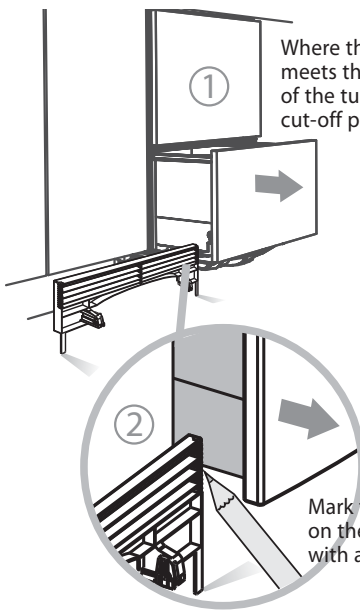


3

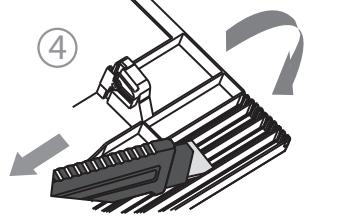
4

5

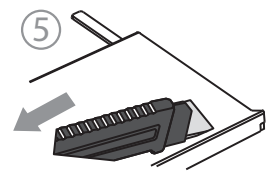
15b) FIT THE SUPPLIED TOEKICK PANEL (OPTIONAL FOR INTEGRATED MODELS)



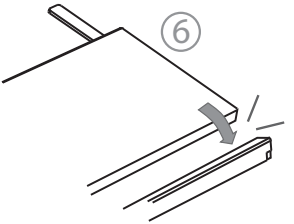
Lay the toekick face down on a chopping board or similar



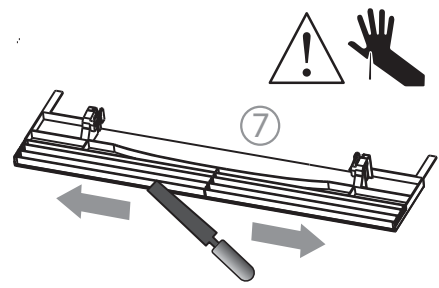
Score along with a knife



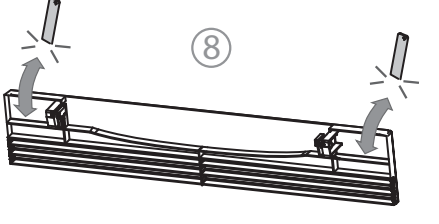
Turn the toekick over and score along the same line



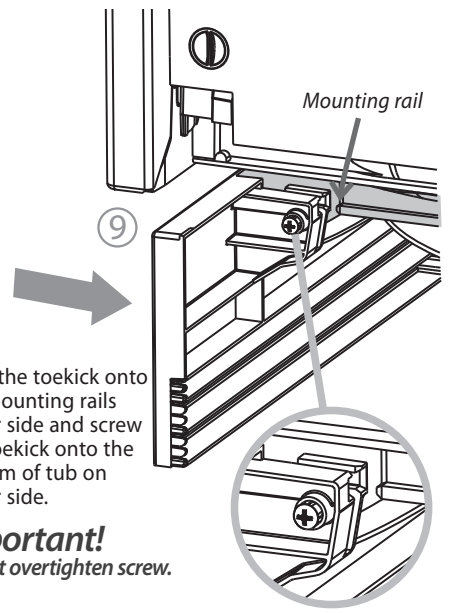
Gently snap off the excess



Smooth the edge with a file. Be careful of sharp edges.



Snap off the two end tabs



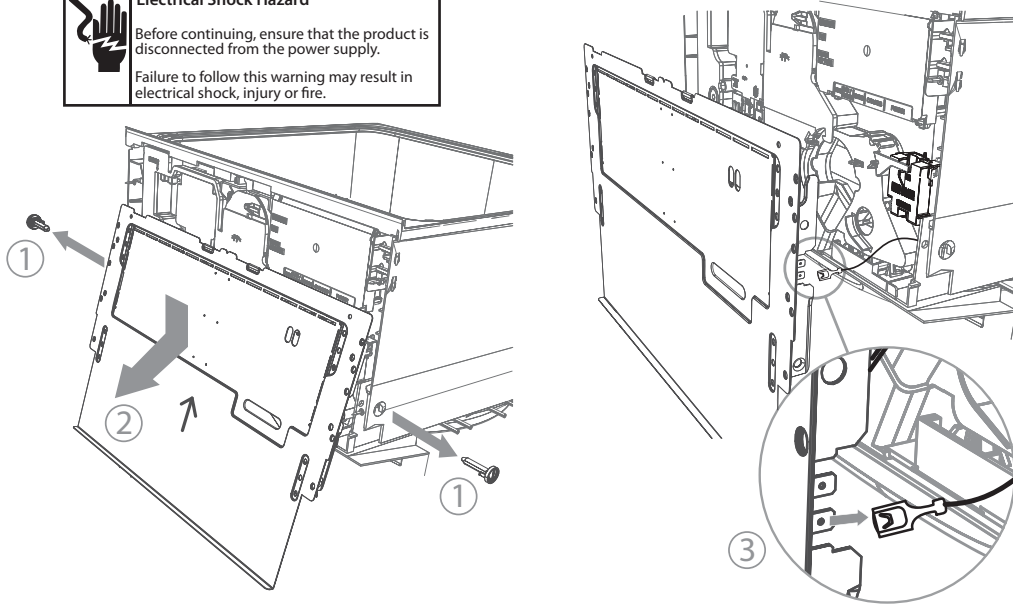
Slide the toekick onto the mounting rails either side and screw the toekick onto the bottom of tub on either side.

Important!
Do not overtighten screw.

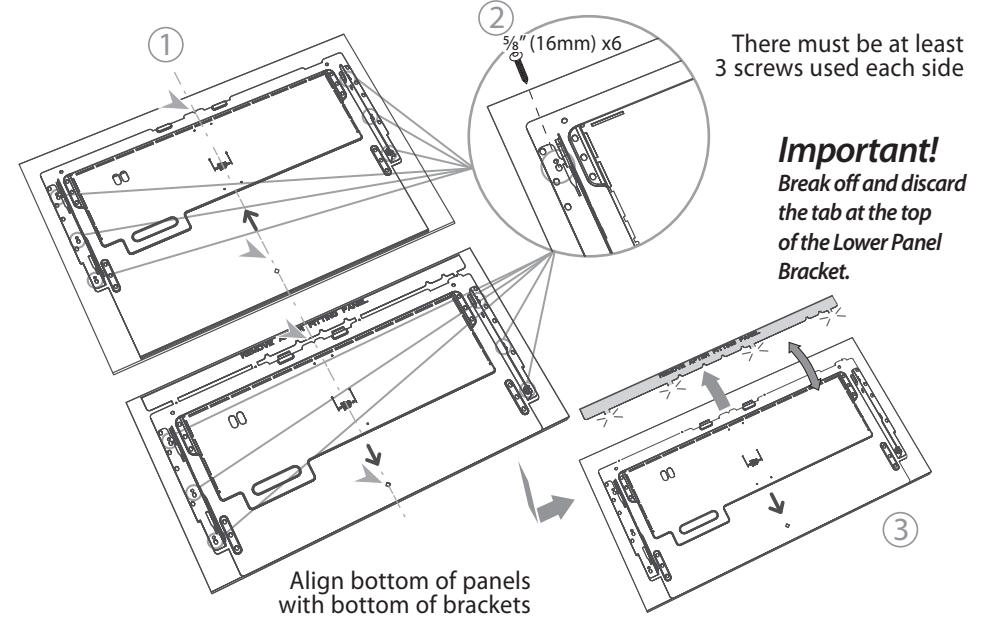
Mounting rail

16 REMOVE BRACKETS FROM PRODUCT

WARNING!
Electrical Shock Hazard
 Before continuing, ensure that the product is disconnected from the power supply.
 Failure to follow this warning may result in electrical shock, injury or fire.

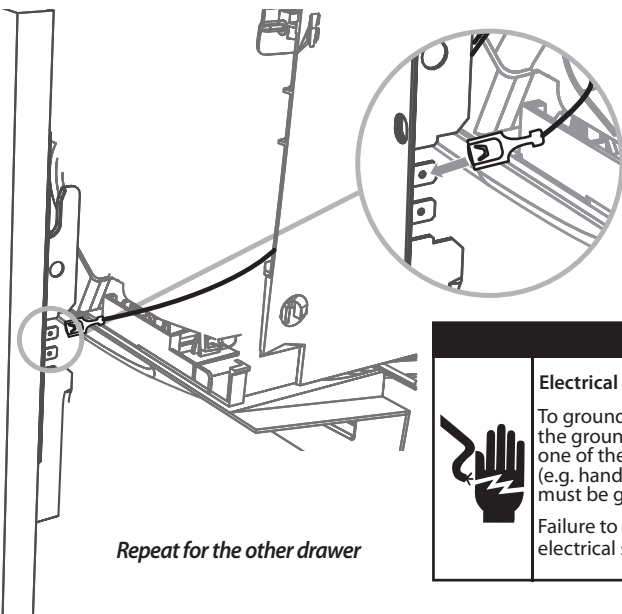


17 ATTACH PANELS TO PANEL BRACKETS

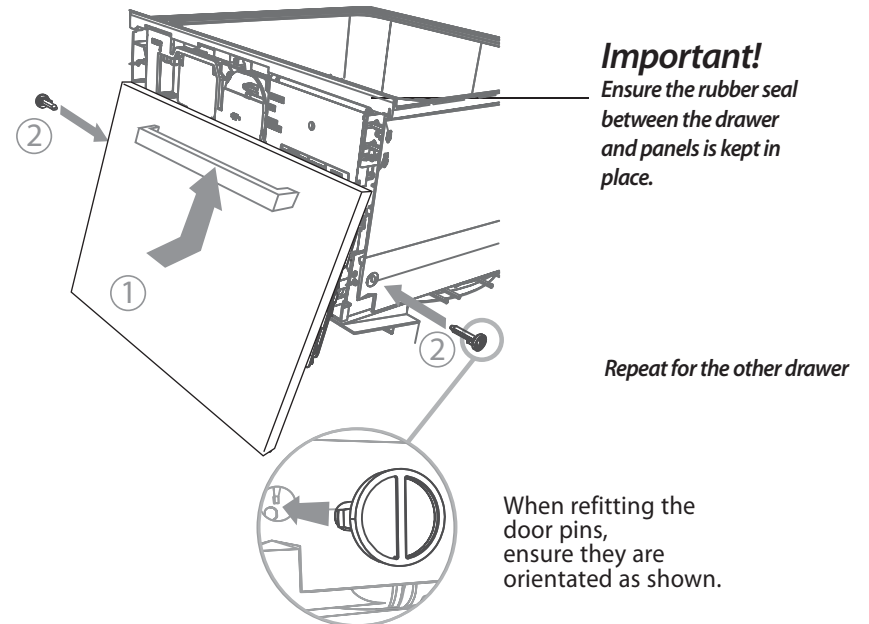


18 GROUND THE PANELS

WARNING!
Electrical Shock Hazard
 To ground (earth) the panel bracket, connect the ground (earth) wire from the product to one of the tabs. Any custom metal component (e.g. handle) that extends past the rubber seal must be grounded (earthed) too.
 Failure to follow these warnings may result in electrical shock, injury or fire.

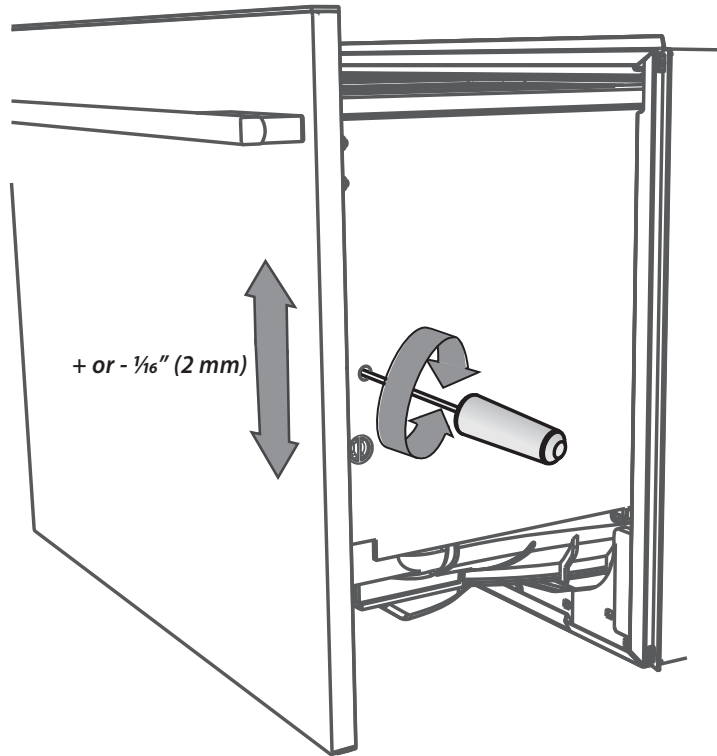


19 ATTACH PANELS TO PRODUCT



INTEGRATED MODELS ONLY - INSTALLING THE FRONT PANELS

②0 ADJUST PANEL HEIGHT TO ALIGN THE CABINETRY GAPS



With the front panels fitted, insert an appropriately sized Philips screwdriver into the hole above the door pin and rotate the panels up or down to align the gaps in your cabinetry.

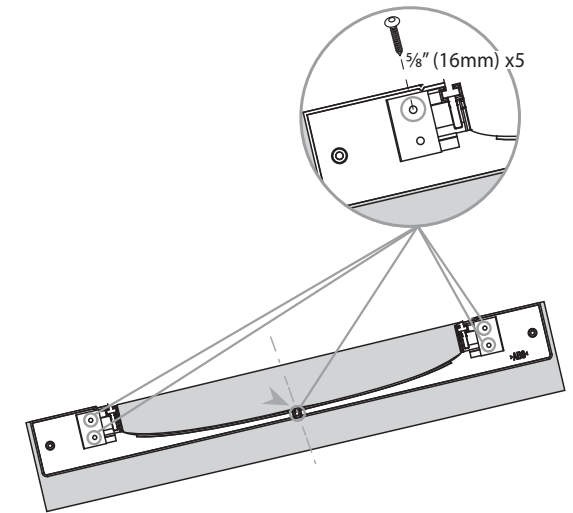
Repeat on the other side if necessary.

Each panel has a maximum travel of $\frac{1}{16}$ " (2 mm) up or down.

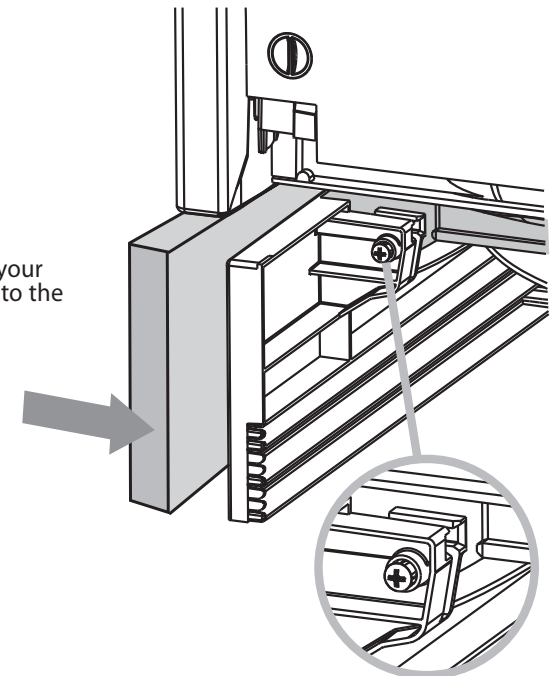
Important!

Ensure that you maintain a minimum of $\frac{5}{16}$ " (8 mm) ventilation gap between the upper and lower panels.

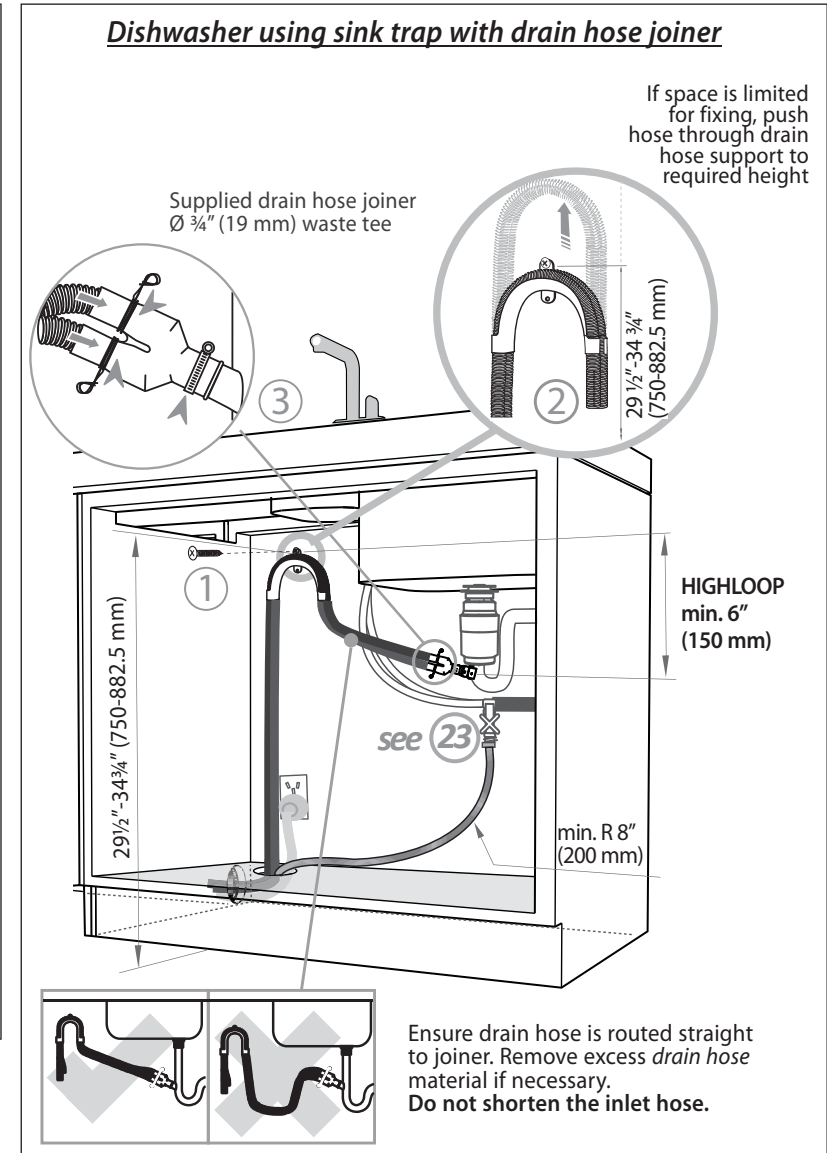
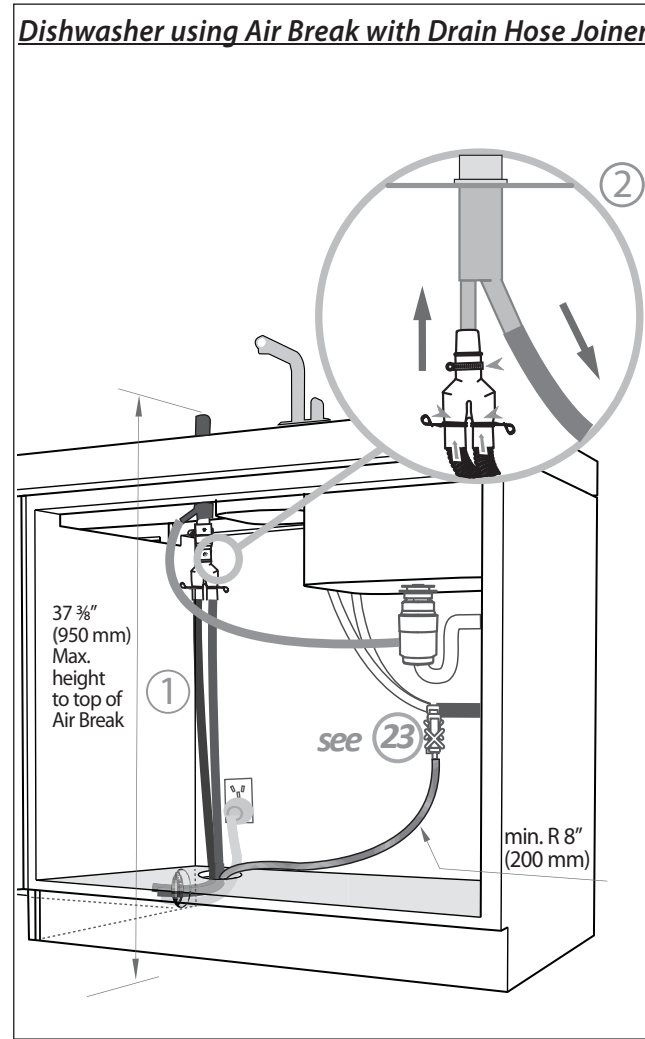
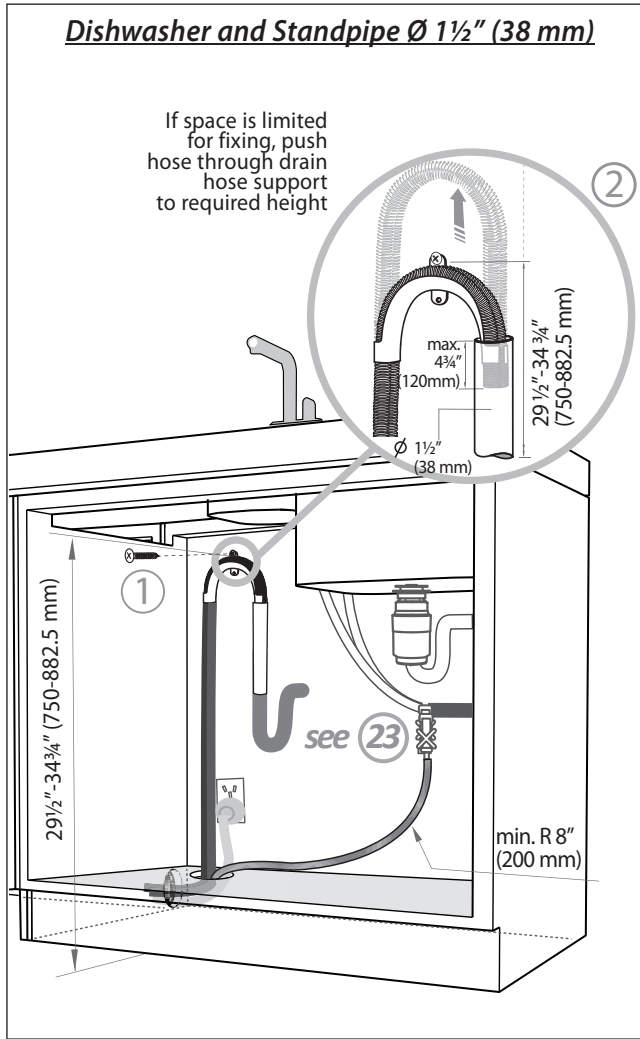
②1 FITTING A CUSTOM TOEKICK PANEL



You can optionally glue your custom toe kick panel onto the supplied panel.

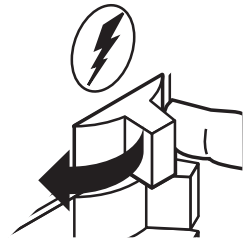
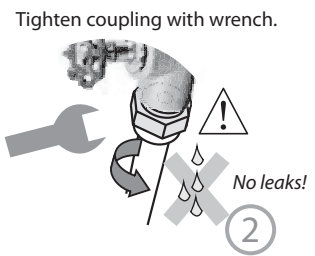
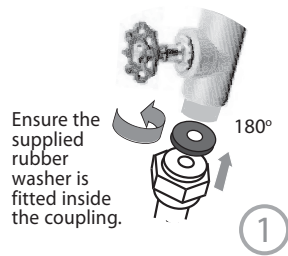


22) THERE ARE THREE DIFFERENT DRAINAGE OPTIONS. CHOOSE WHICH IS MORE SUITABLE.



23) CONNECT INLET HOSE TO HOT WATER

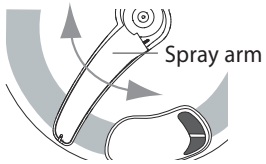
24) SWITCH PRODUCT ON



Important!
Ensure that drain connection will comply with local plumbing regulations.

25 FINAL CHECKLIST

- ✓
- Check all parts are installed.
- Ensure product is level, securely fastened to the cabinetry and opens and closes freely. The drawers must be free to fully close with no resistance from the cabinetry.
- Ensure inlet hose to water supply has supplied rubber washer fitted, and that it's tightened a further half turn after seal contact.
- Ensure any knockouts or plugs in drain connection have been drilled out and drain connection has been made.
- The drain hose joiner must not support the weight of excess hose material. Keep drain hose as fully extended as possible to prevent sagging. Any excess length of drain hose should be kept on the dishwasher side of the highloop.
- If connecting the drain hose to the sink trap, ensure the Highloop is a minimum 6" (150 mm) higher than the drain hose joiner.
- Ensure any packaging or tape securing the racks is removed from the drawers.
- Turn on the power and water supplies, then open the drawers. You should hear a beep and see a program indicator light up on the internal control panel.
- Check the spray arms are in place and free to rotate.



- Add three cups of water into each drawer. Press ► on the internal control panel until the indicator of the 'Rinse' program lights up. Close the drawers and press ►|| to start the program.
- After the Rinse program has finished, ensure the dishwasher has run and drained correctly.
- Check water supply and drainage connection for leakage.

26 TROUBLESHOOTING

- **Excessive water remaining above the filter plate, after the rinse cycle**
Check for a kinked drain hose or blocked waste connection, highloop not properly installed or drain hose not routed correctly.
- **No water supply (This is displayed as a 'U1' fault -- see section 'If there is a fault' in the User guide for how to recognise this fault on models without a display.)**
Check water is connected and turned on.
- **The dishwasher is beeping continuously**
There is a fault. See section 'If there is a fault' in the User guide for further information and instructions.
- **No program indicator lights up when the drawer is opened**
Ensure power is connected and is switched on. If it is and still no indicator lights up, see the 'Preference options' section of the 'Quick start guide'. An option called 'Open drawer auto power-on' may need to be turned on.
- **Water around water supply and drainage connections**
Check connections, existing plumbing and hoses for leaks. Check rubber washer and hose clamp are correctly fitted.
- **If product is tipping**
Ensure the product is secured to the cabinetry.
- **If front panels are misaligned**
Check and relevel product. Check the cabinetry is square. For Integrated models, check and adjust front panel alignment if necessary.
- **Drawer doesn't close properly**
Ensure nothing is obstructing the drawer from closing properly eg sound insulation, hoses or drawer latches.
- If a problem occurs, consult the 'Troubleshooting' section of the User guide.
- If after checking these points you still need assistance, please refer to the Service & Warranty book for warranty details and your nearest Authorized Service Center, or contact us through our website, listed below.

Important! **SAVE THESE INSTRUCTIONS**

The models shown in this document may not be available in all markets and are subject to change at any time. For current details about model and specification availability in your country, please visit our local website listed at the end of this document or contact your local Fisher & Paykel dealer.